

放大镜使用说明书

User's manual book

感谢您购买我们的产品，在使用之前请仔细阅读本产品说明书。
Thanks for choose our product, please read this manual book before use this unit.

产品性能/技术参数

Specification & Technical

在医学领域，为提高口腔医生的视野清晰度，减轻口腔医生眼睛疲劳，以及由于长时间低头操作引起的颈肩部疼痛，我公司研究开发生产了专供口腔科医生使用的医用牙科手术放大镜及头灯系列产品，经数千名医生使用，获得国内外口腔医生的一致好评。

目前该产品已广泛应用于牙科、普通外科、整形外科、神经科、眼科、耳鼻喉科等各种外科手术以及电子业、精密制造、纺织业等工业领域。

Galilean Surgical Loupes is very popular applied to dental, plastics, neurological, ophthalmology, Otorhinolaryngology, also can be used for electronic and industry .

Our dental loupes is produced by high quality optical glass material with muli-coating.it can supply large field of views and deep depth of view.it is used for reduce dentist's eye, neck and shoulder fatigue, which is caused by long time lowerhead work .

工作参数

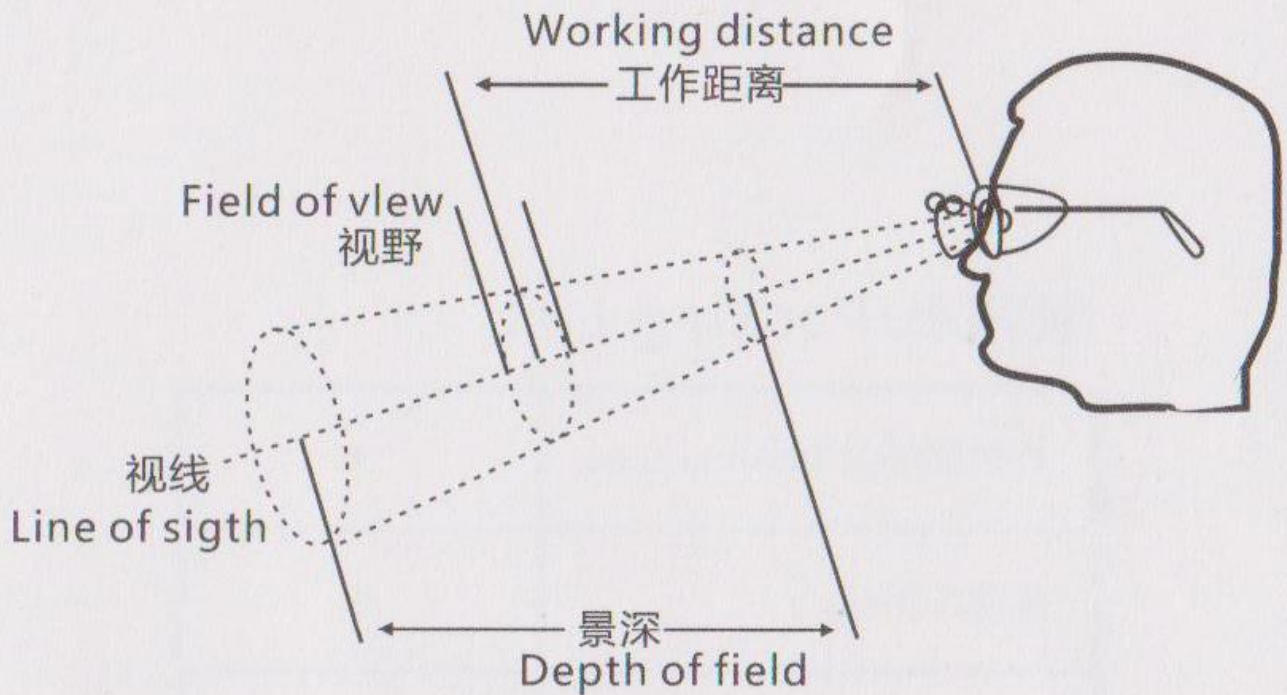
Specification :

放大倍率/Maginification	2.5x	3.5x
工作距离/Working distance	440-540mm	280-380mm
视野/Field of view	130mm	60mm

工作距离：眼睛到所观察物体之间的距离。

景深：放大镜在最佳工作距离向前或向后移动仍能看清的一段距离。

视野：通过透镜所看到的范围直径。



放大镜调节和佩戴方法

How to adjust and wear your loupes?

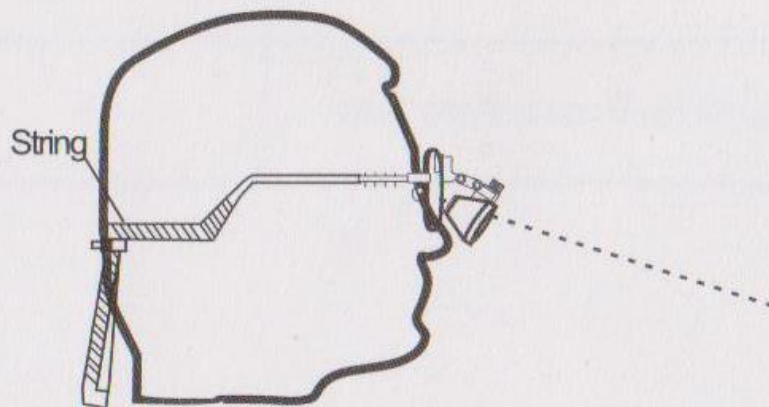


Illustration1

戴上放大镜，收紧镜带

Wear the loupes, fasten the string to wear comfortably and securely.

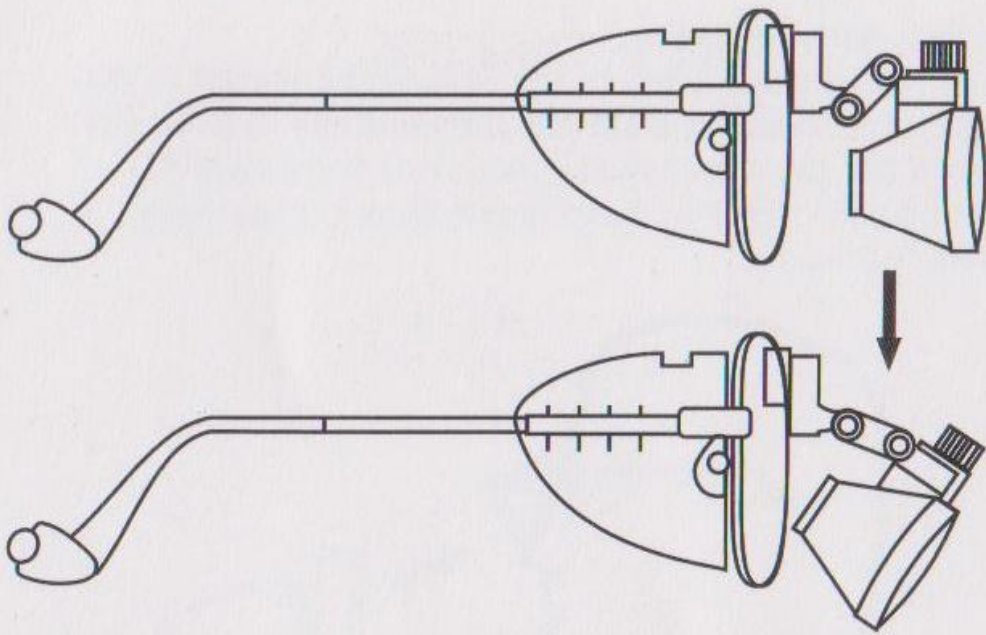


Illustration2

调节镜头角度，看到目标物体。

提示：放大镜筒越靠近眼镜看得越清楚，所见物像越大，成像越清晰。

Angled Hinge Adjustment

Adjust the hinge to see the object.

Note: When the lens more close to the frame, the image is more large and clearly.

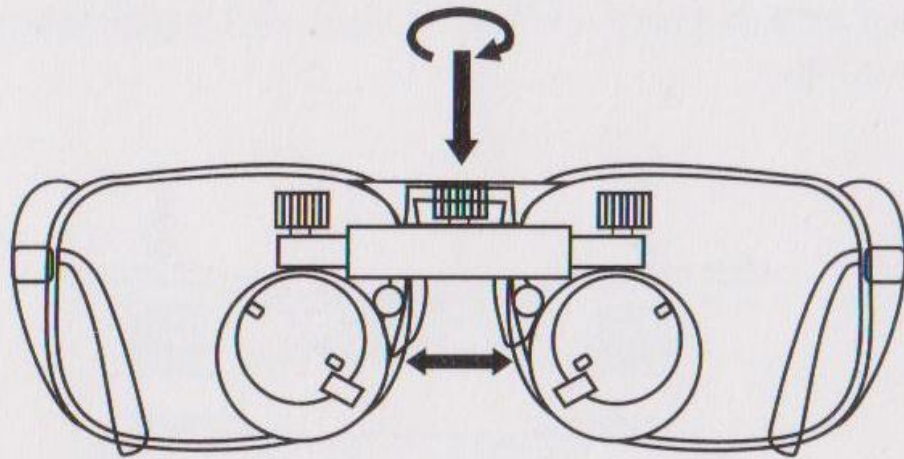


Illustration3

调节瞳距

先将瞳距调整到最大，然后对准合适工作距离内的目标物体，缓慢向中间旋转螺帽，当由刚开始看到的两个圆重合成一个圆的时候，目标物体清晰可见，并且无重影，此时即是个人的正确瞳距。

Interpupillary Adjustment

First adjust the interpupillary to maximum, then point at the object within the working distance. Rotate the middle nut slowly, when the circle you see become one from two, the object can be see clearly without ghost. Now it's the right interpupillary for you.

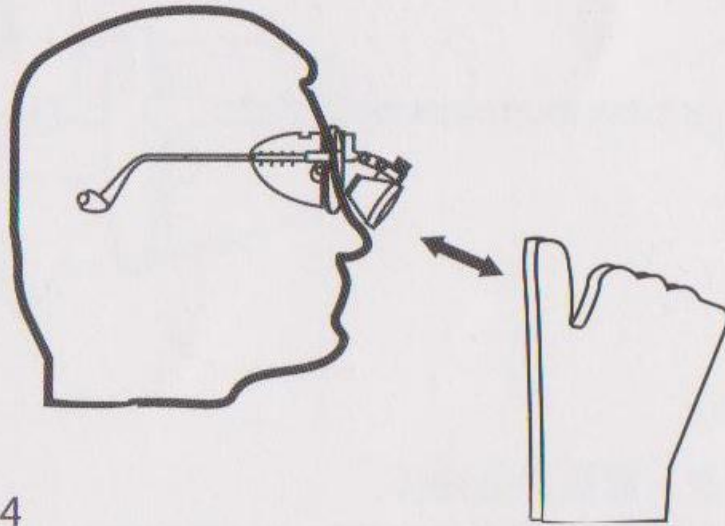


Illustration4

端直颈部，双手前后调整目标物体，确保清晰看清。放大镜的工作距离/焦距是固定的，但前后有一定范围/景深

Working distance

The loupes have a preset working distance, Be sure to position the object back and forth to find the right working distance for your focusing.

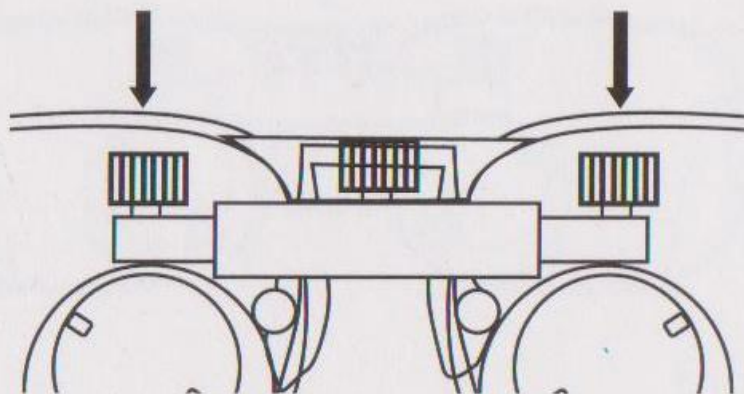


Illustration5

两边的两个小螺丝为固定镜筒合像，请勿调节

The two side screws is for fixing the lens to get good image, please don't adjust.

装箱单/Packing List:

放大镜/Galillean Loupe	•
头绳/String	•
螺丝刀/Screwdriver	•
清洁布/Cleaning cloth	•
护镜盖/Protective cap	•