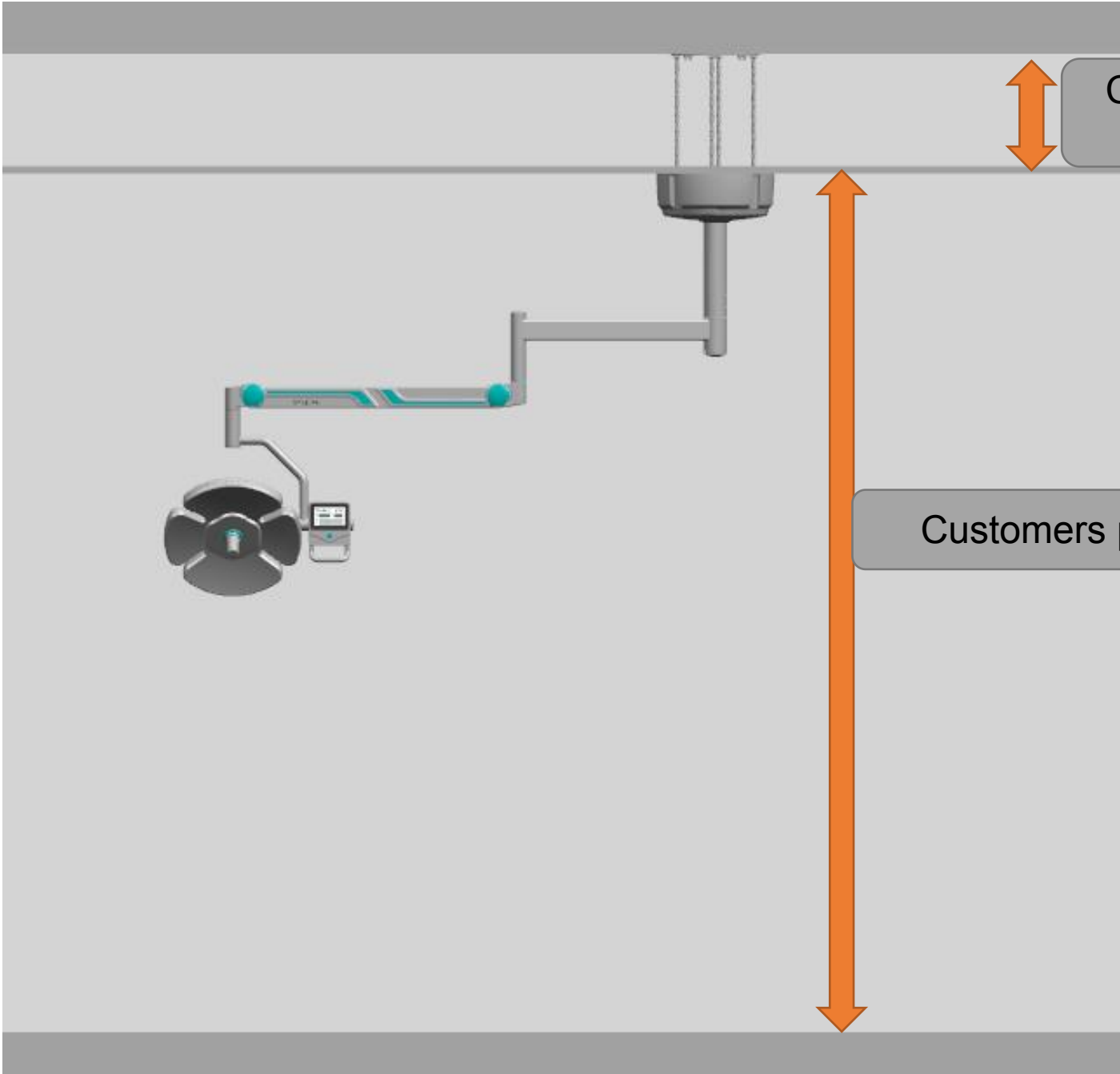


concret

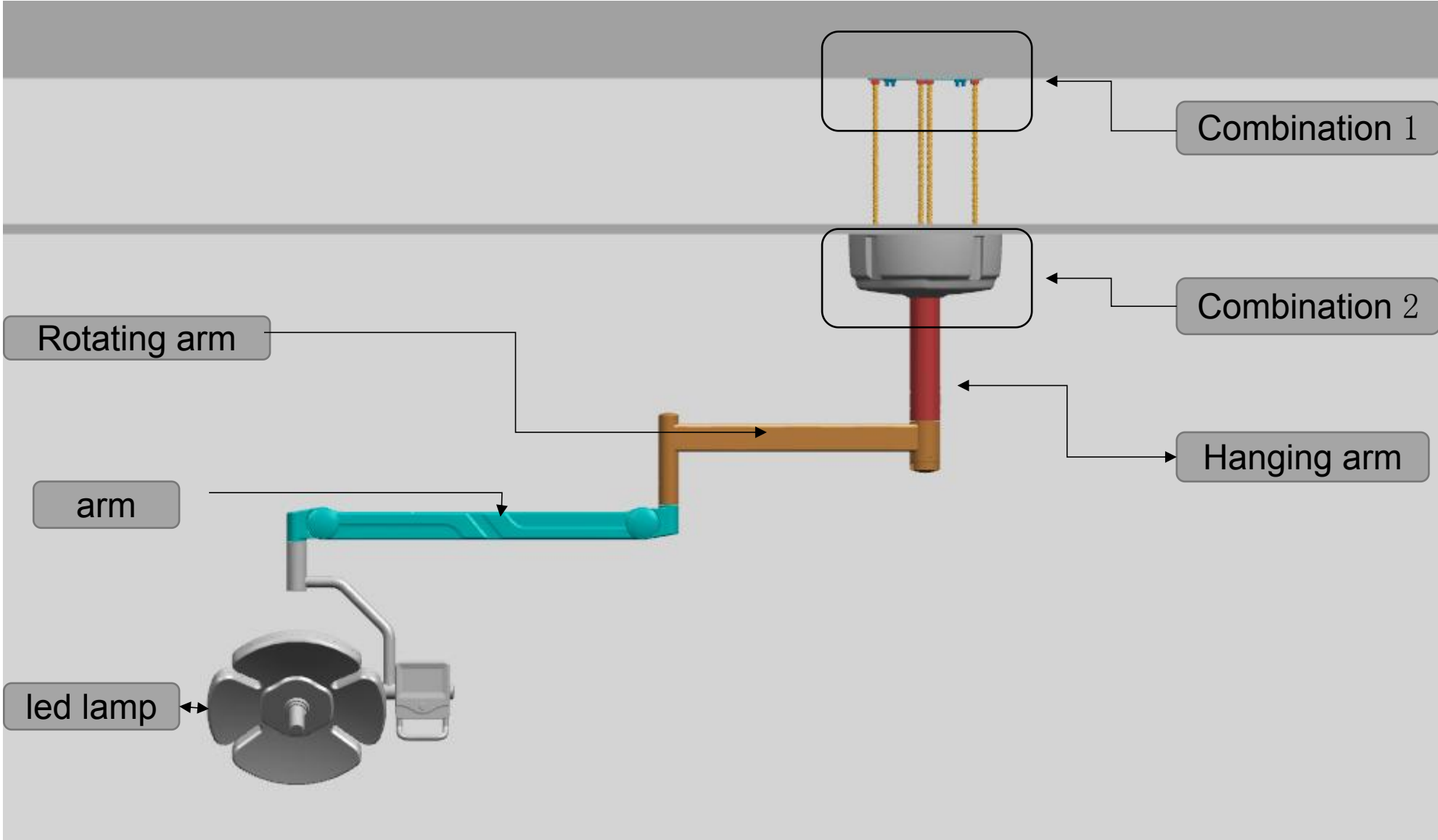
ceiling

floor

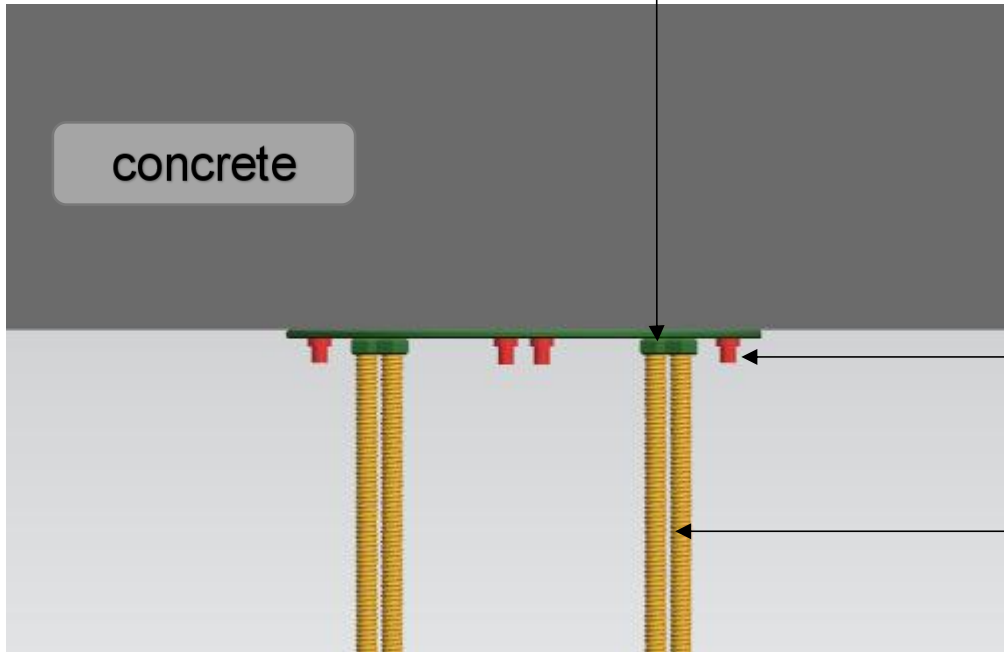


Customers provide distance

Customers provide distance



Combination 1

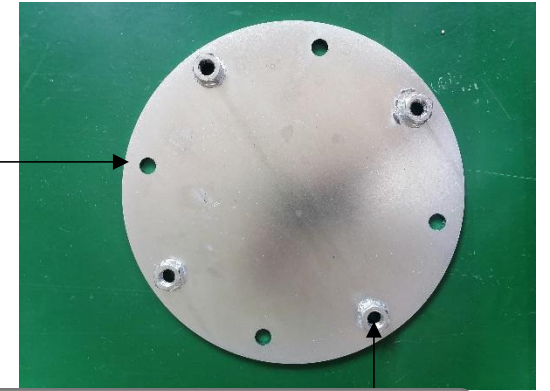


concrete

1: Pulls explodes the screws into the concrete



M10 expansion screws



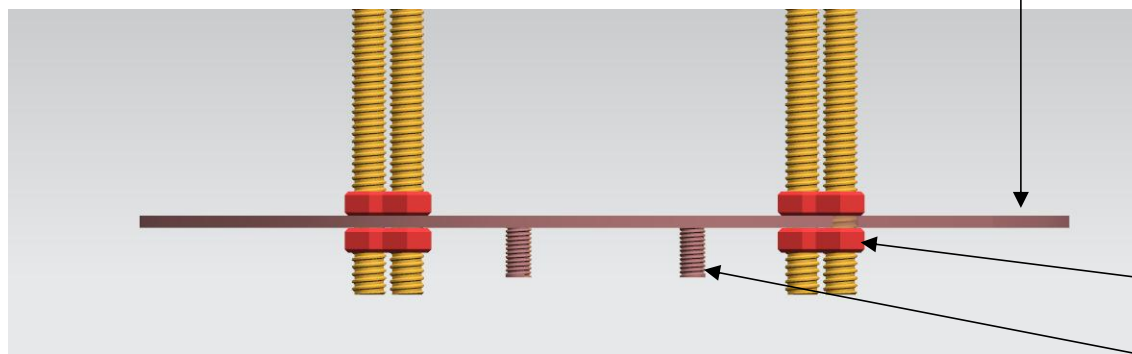
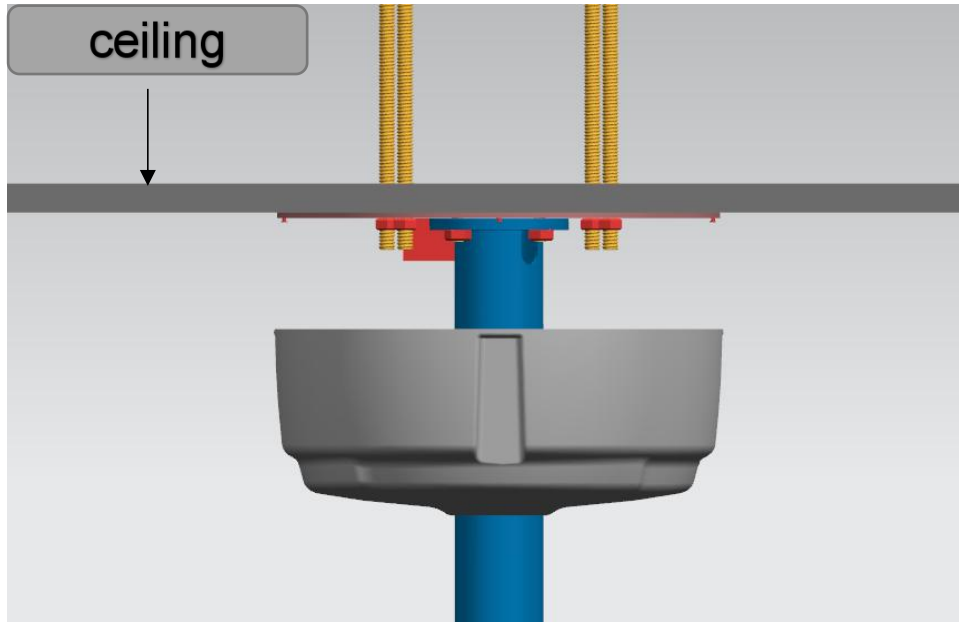
290mm bottom board

2: Install steeve

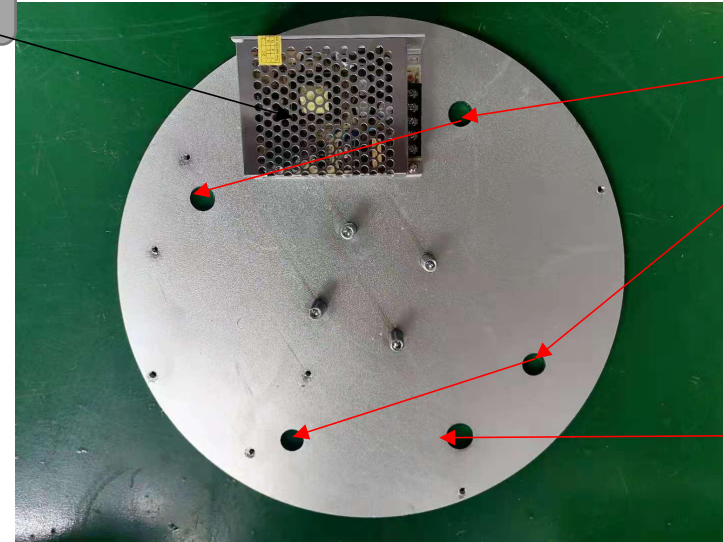


M14 steeve

Combination 2



Electric power

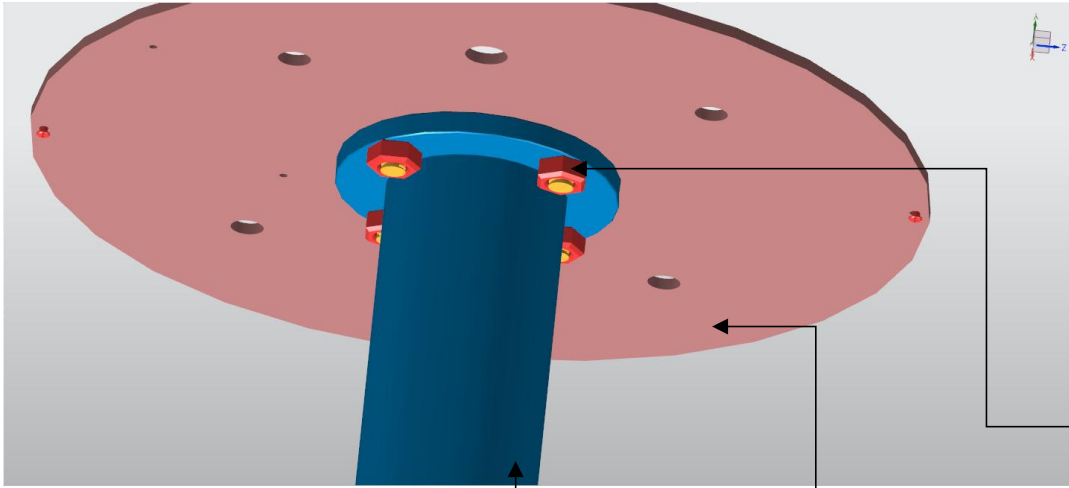


Put steeve into holes

Put wires into hole

1: Make holes on the ceiling according to relevant positions

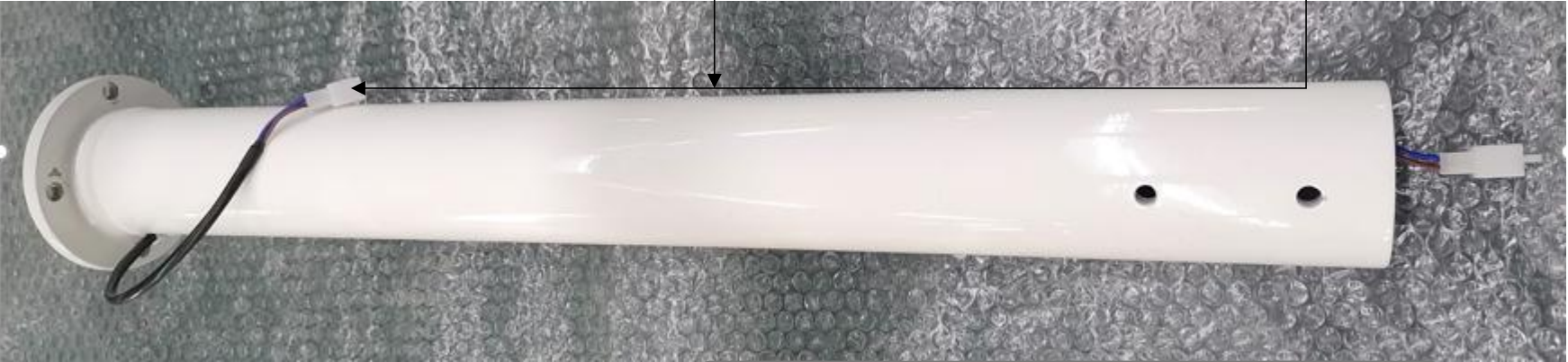
2: Use the strews of steeve to fix the disk, put the disk down , and then fix the screws



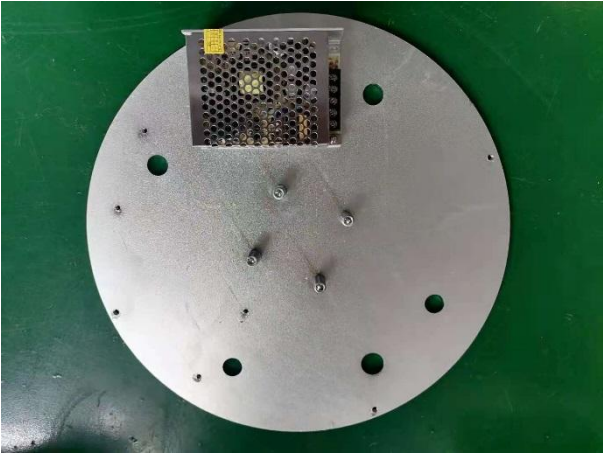
M10 screws



3: Use the screws to fix the hanging arm, and connect the power

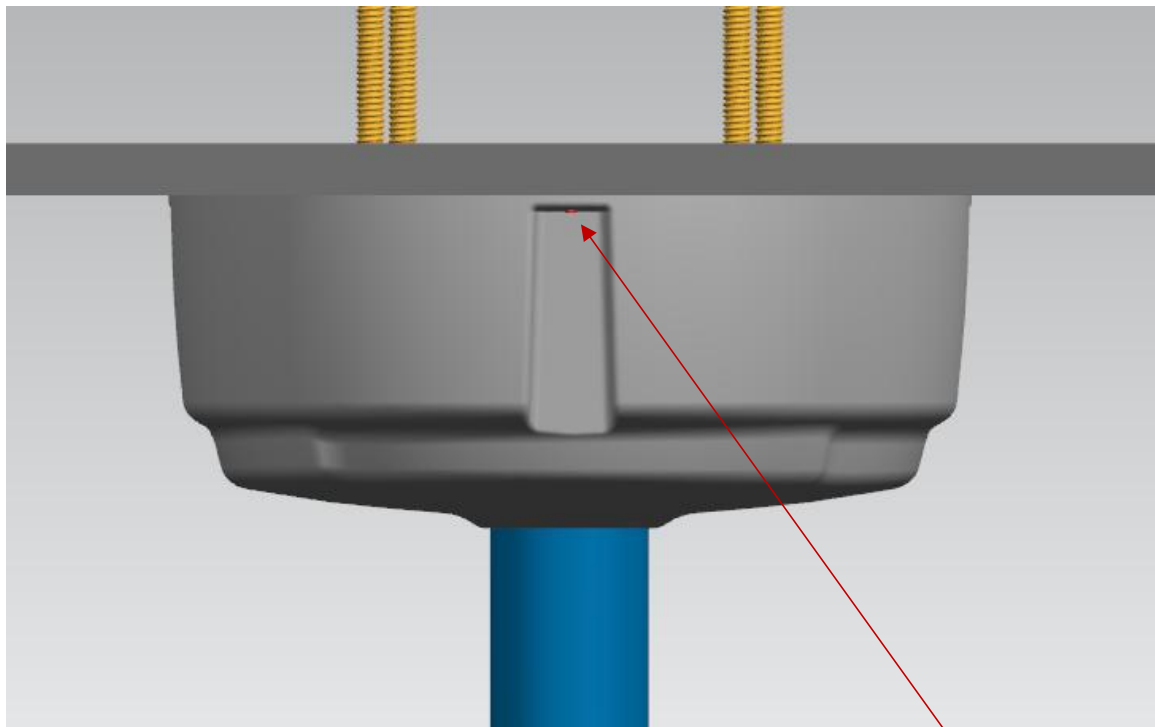


the length of hanging arm is customized accoring to the floor height

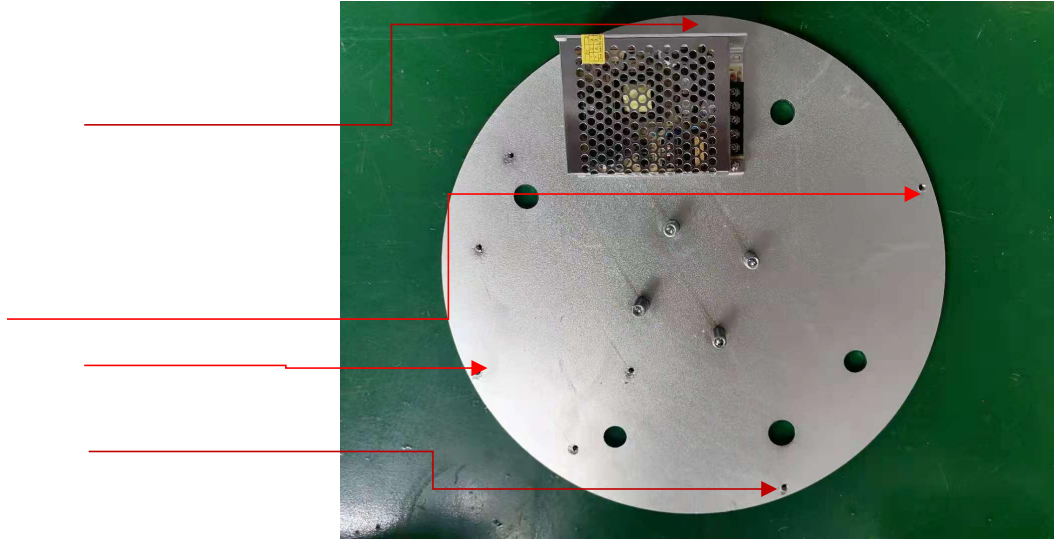
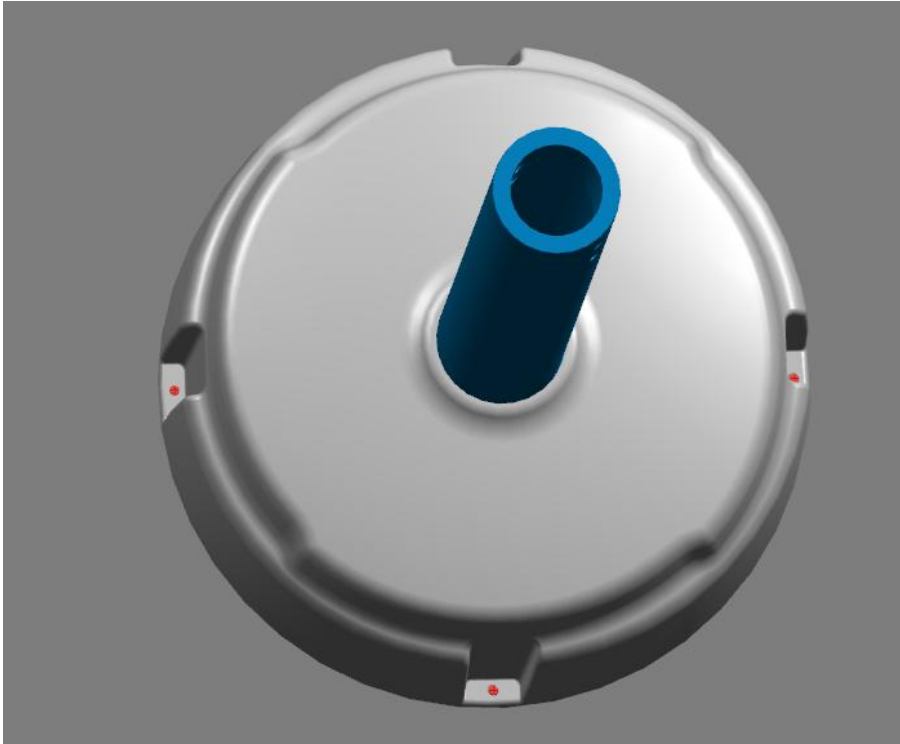


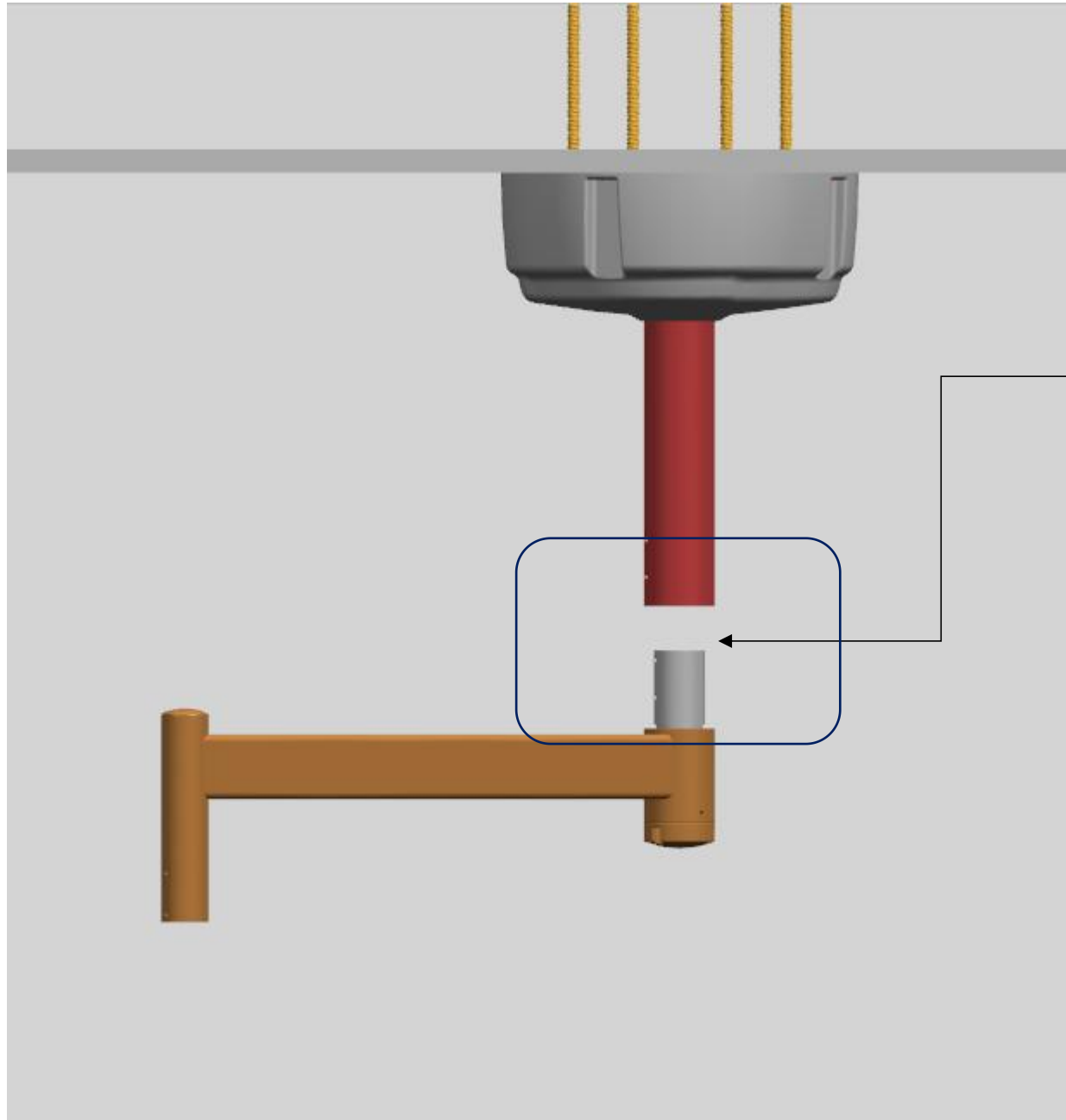
bottom board with power

4: Use the screws to fix the disk



The fixed position for 4 screws



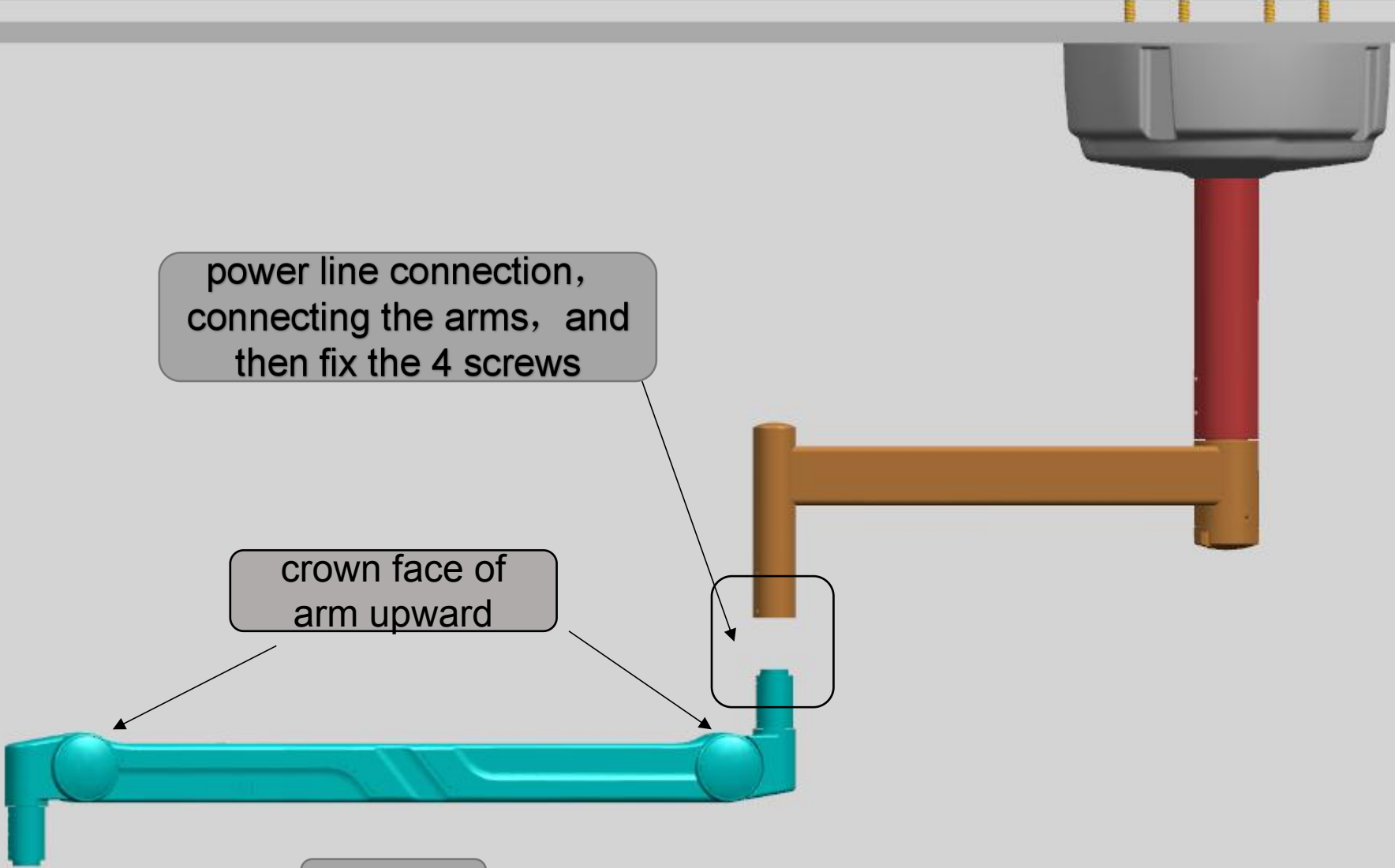


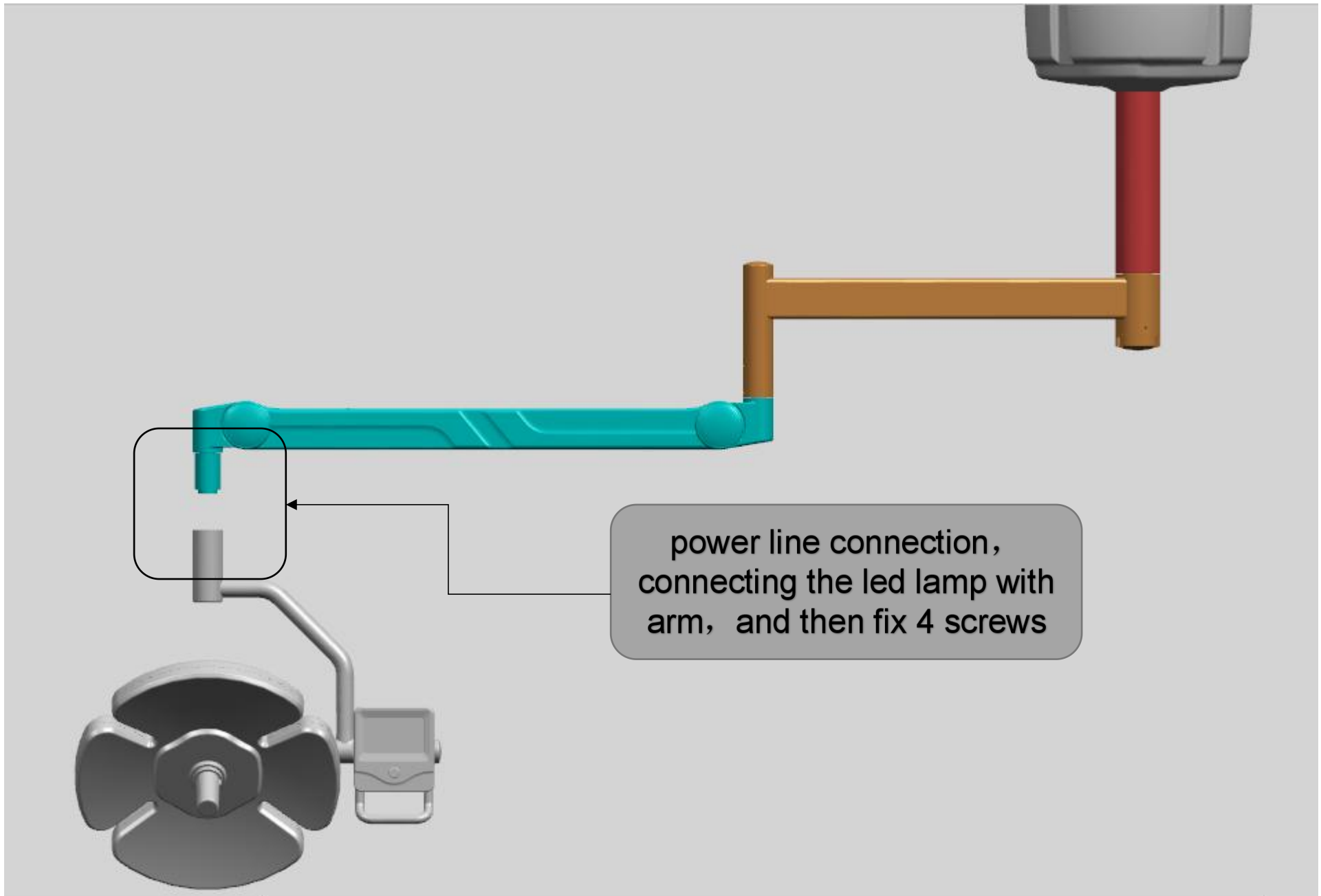
1: power line connection, connecting rotating arm with hanging arm, and then fix the 4 screws

power line connection,
connecting the arms, and
then fix the 4 screws

crown face of
arm upward

arm





power line connection,
connecting the led lamp with
arm, and then fix 4 screws