

**AIXIN MEDICAL**  
**USER MANUAL**

*AX-J3 Polishing Lathe*

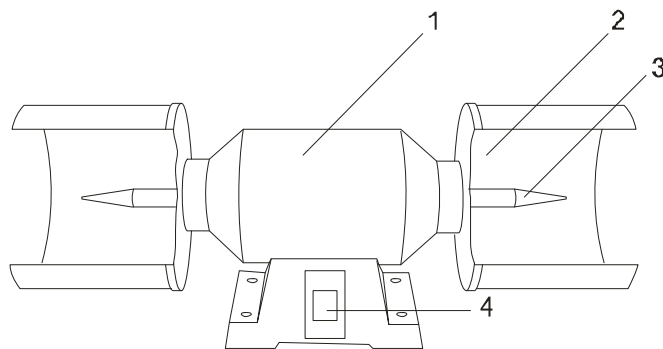
## Description:

The AX-J3 Polishing Lathe is used to polish various kinds of metal (nickel-chrome alloy, cobalt-chrome alloy, and stainless steel), plastic dentures, dental braces and porcelain teeth. It has a smart and delicate design, and the case is made of extra-hard materials. It is a must-have equipment for all dentists.

## Specifications:

power Supply voltage	AC 220V / 110V 50HZ / 60HZ±10%
Power	250W
Rotational speed	3000rpm
Dimensions	50x20x25(cm)

## Diagram:



1. motor
2. protective case
3. wheel
4. power

## Instructions:

1. The machine can be used in the altitude under 1,000 meters, in the temperature between 15 degree and 40 degree, and in the humidity of no more than 95 percent. The machine should be used under 1,000 m altitude, between the temperature of 15 °C and 40 °C, and under the humidity of 95%.
2. Before using the machine, please check if the accessories are damaged during transportation. If such cases occur please contact the manufacturer.
3. Before using the machine, please use your hands to turn the axis of the grinding wheel, and it should be smooth. If not, the problem should be solved before operating.

**Notice:**

1. Please use this machine under the right voltage and frequency.
2. The housing of the lathe should have a good grounding.
3. Please do not use this machine in the room filled with the gas which might cause fire or explosion.
4. Do not take off the safety case.
5. Please do not use this machine outdoors.
6. Please do not spill water onto the machine while it is working.
7. Keep children away from the machine.
8. The direction of which this machine rotates should be the same as the direction written on the instruction sheet.
9. Users should wear goggles while operating.
10. To avoid being hurt by the pieces coming off the workpiece, do not push the workpiece violently onto the grinding wheel.
11. To avoid hurting other people by turning on the machine accidentally, please turn off the machine and cut the power after using.

**Accessories:**

Manual	1
Power cord	1